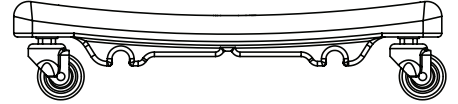




Spring-Lock Installation For Mini Creeper & Compact Sit-On Creeper II



ITEM, HARDWARE & PARTS INCLUDED

| # | ITEM | QTY |
|---|--------------------------------|-----|
| 1 | Complete Mini Creeper Assembly | 1 |
| 2 | Mini Creeper Spring Locks | 2 |

Diagram A

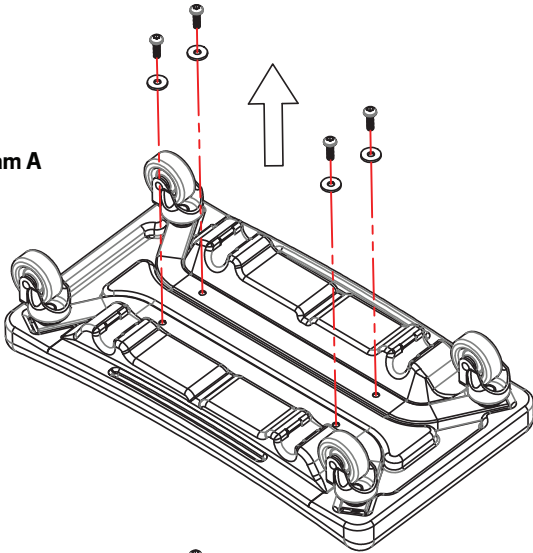


Diagram B

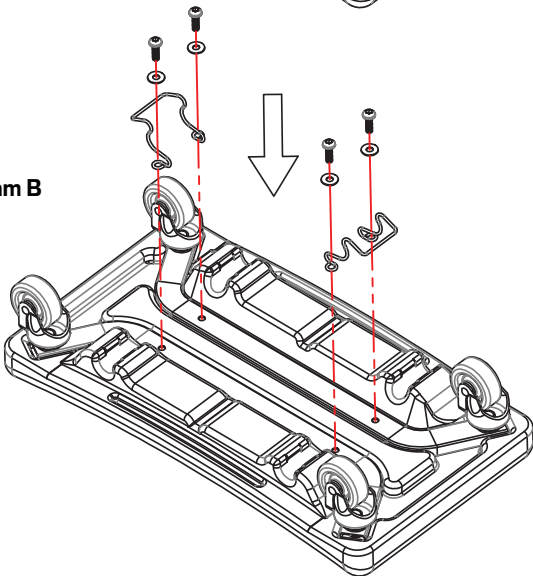
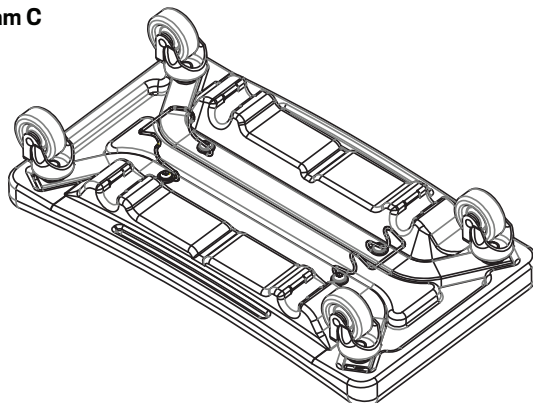


Diagram C



IMPORTANT: READ ALL INSTALLATION STEPS BEFORE BEGINNING ASSEMBLY

WARNING! Read and understand all instructions. This manual contains important safety, assembly, and operating instructions. Please read this manual carefully before assembling or using this creeper seat and save it for reference. Failure to do so can result in serious injury.

Tools Required: 4mm Hex Driver or Allen Wrench

INSTALLATION STEPS:

1. Remove the Mini Creeper from your Compact Sit-On Creeper II. Place it upside down on a work surface.
2. Remove the 4 - 4mm hex fasteners with a 4mm Allen wrench or hex driver as shown in diagram A.
3. Place one of the spring locks over the frame holes where you just removed the fasteners. Re-install the 4mm hex fasteners with washers to secure the spring lock. Tighten snug but do not over tighten. Repeat for the second side and spring lock.
4. Check that all fasteners are tight and spring locks are as shown in Diagram C. Re-install Mini Creeper onto Compact Sit-On Creeper II frame by lining it up over the frame bars and pressing down firmly. To make engagement easier, while holding both sides of the seat, reach under, pull the spring locks outward and press down firmly on the seat until locked into place.

CAUTION: DO NOT stand on the full creeper or Mini Creeper for any reason!

IMPORTANT SAFETY INFORMATION:

- Do not roll the seat while loaded over rough surfaces that may cause wheels to catch or the seat to tip. Use on flat, level, hard surfaces only.
- Wear ANSI-approved safety goggles and work gloves during assembly.
- Use as intended only. Do not stand on seat. Do not lean back on the seat or sit on any edge of the seat. If you sit on the edge of the seat or lean too far in any direction tipping may occur.
- This product is not a toy. Do not allow children to play on or near this product.
- Weight capacity and product capabilities apply to properly and completely assembled product only.
- Inspect before every use. Do not use if parts are loose or damaged.
- Do not exceed 300 lb weight capacity. Be aware of dynamic loading! Sudden load movement or applying sudden weight to the seat may briefly create excess load causing product failure.