



# WALL MOUNTED DOCK LIGHT

## WIRING AND SWITCH

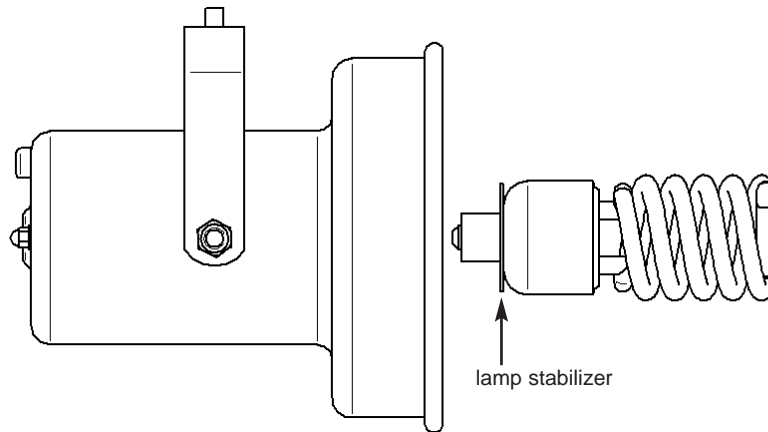
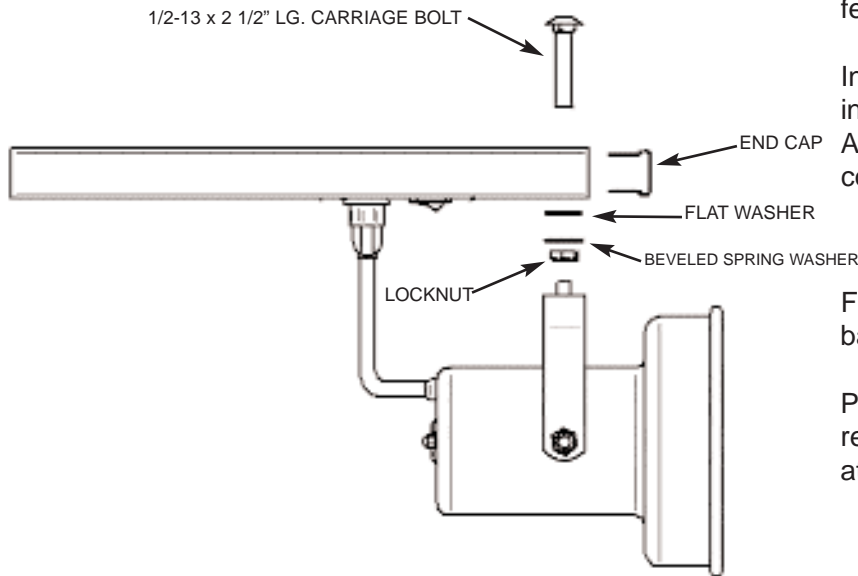
Install the male plug from the light head into the female receptacle in the arm assembly.

Install the male plug from the arm assembly into the nearest supply outlet (120 VAC ONLY). A rocker type switch is built into the splice compartment on the arm assembly.

## LAMPS

Fixture utilizes ENERGY STAR® qualified self-ballasted compact fluorescent lamp.

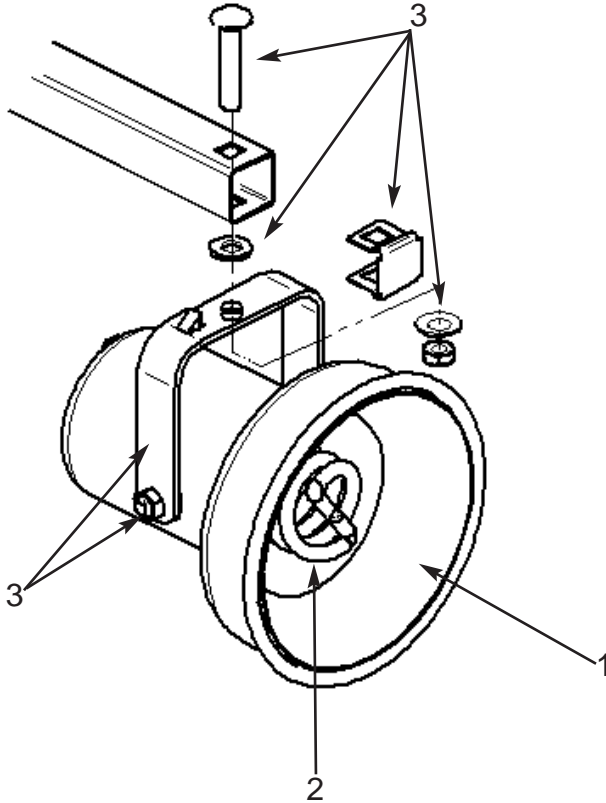
Part number 13071 is sold with lamp. For replacement lamps, please call Griot's garage at 1-800-395-5789.





# WALL MOUNTED DOCK LIGHT

## REPAIR PARTS LIST



ITEM	DESCRIPTION	P/N
1	REFLECTOR KIT	000030.900
2	LAMP KIT	000030.901
3	HARP & MOUNTING KIT	000030.902