

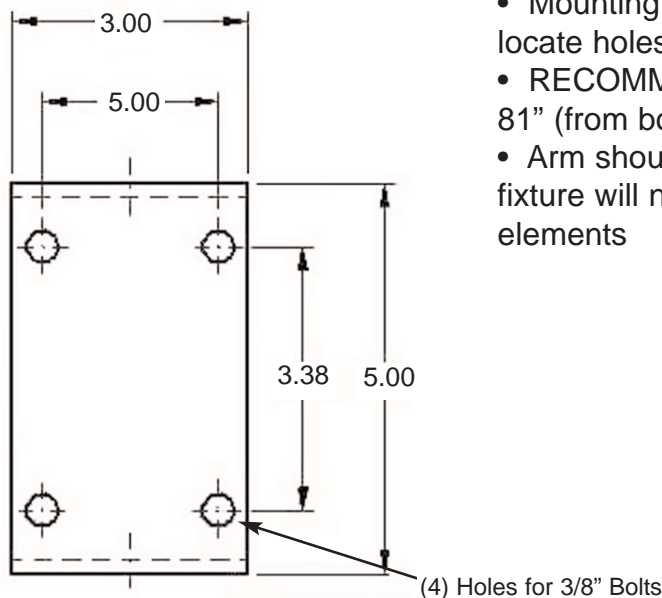


WALL MOUNTED DOCK LIGHT

ARM INSTALLATION INSTRUCTIONS

MOUNTING PLATE PATTERN

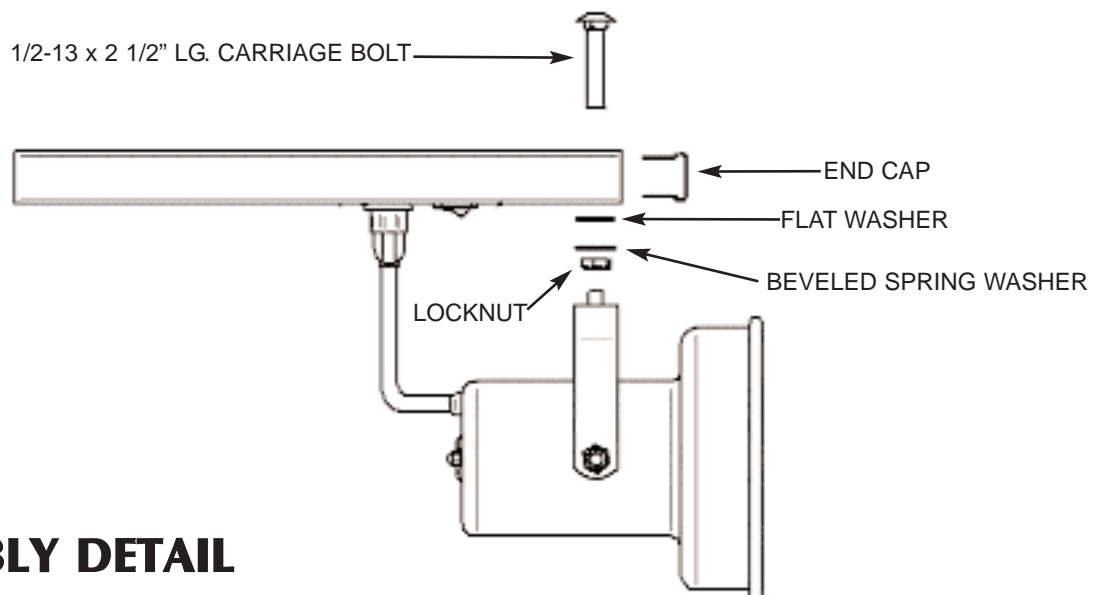
FOR SINGLE STRUT ARMS



MOUNTING PLATE NOTES:

- Mounting plates can be used as a template to locate holes on mounting surface.
- RECOMMENDED BRACKET HEIGHT: 81" (from bottom of plate to floor)
- Arm should be mounted so that dock light fixture will not be directly exposed to outside elements

ASSEMBLE DOCK LIGHT HEAD TO ARM USING SUPPLIED HARDWARE IN PACKAGE.
SEE ASSEMBLY DETAIL.



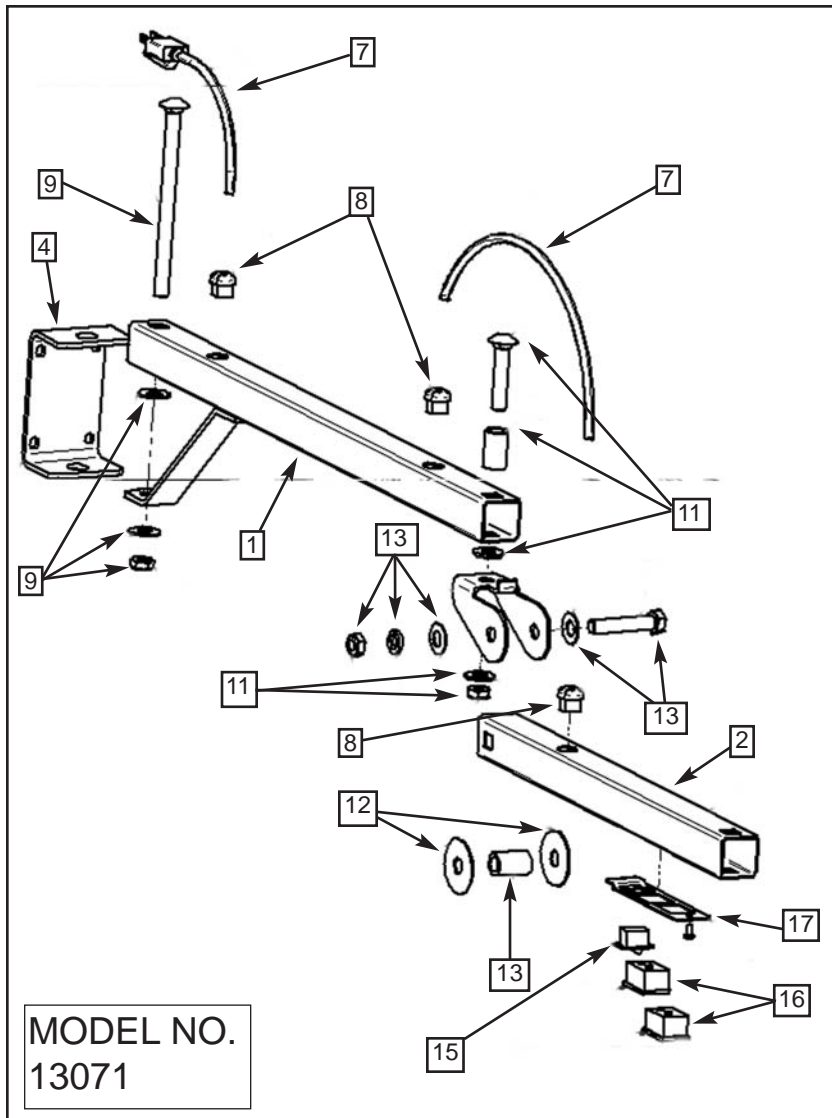
ASSEMBLY DETAIL

WIRING AND SWITCH

Install the male plug from the light head into the female receptacle in the arm assembly.

Install the male plug from the arm assembly into the nearest supply outlet (120 VAC ONLY). A rocker type switch is built into the splice compartment on the arm assembly.

REPAIR PARTS ILLUSTRATION



REPAIR PARTS LIST - MODULAR

ITEM	DESCRIPTION	Model No. ARM RH-42
1	Wall Arm	1510040
2	Lamp Arm	2110010
4	Wall Mounting Plate	2602701
7	Cord Set w/Plug	4130050
8	Strain Relief Bushing	4030200
9	Wall Joint Hardware	1153200
11	Flexible Joint Hardware	1157400
12	Flexible with Friction Washers	1160014
13	Flexible Joint Hardware	1157800
15	Switch	4315004
16	Receptacle	4055000
17	Cover Plate	2750161