



DIGITAL TORQUE WRENCH

Useful Instructions

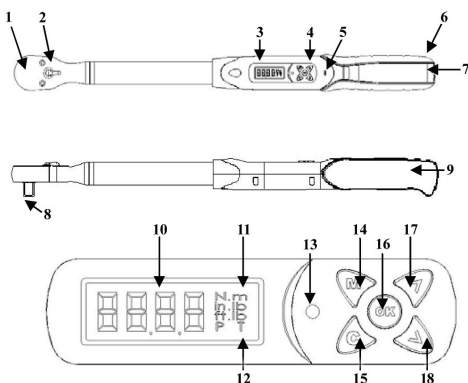


Thank you for purchasing this fine product from GRIOT'S GARAGE. The **DIGITAL TORQUE WRENCH** enables you to accurately set fastener torque with a convenient LCD display and audible beep alert. Before operating the torque wrench, please read this manual completely, and keep it nearby for future reference.

MAIN FEATURES

- Digital torque value readout +/- 1~5% accuracy
- Peak and track mode selectable
- Beeper and LED indicator for the user preset target torque
- Units of Measure (ft-lb, in-lb, N-m) selectable 30 data memory for recall and joint torque
- Auditing Auto Sleep after 2 minutes idle
- Power supplied by 2- AA batteries

NAMES & FUNCTIONS OF PARTS



- | | |
|----------------------------|--|
| 1. Reversible Ratchet Head | 11. Units (N-m, in-lb, ft-lb) |
| 2. Direction Lever | 12. P (peak hold mode)
T (track mode) |
| 3. LCD Readout | 13. LED indicator |
| 4. Buttons | 14. Menu Button |
| 5. Buzzer | 15. Cancel Button |
| 6. Battery Compartment | 16. Enter (OK) Button |
| 7. Battery Cover | 17. Up Button |
| 8. Ratchet Drive | 18. Down Button |
| 9. Handle | |
| 10. Torque Value | |

SPECIFICATIONS

Accuracy *1	+/- 2.5% (CW) and +/- 3.5% (CCW)
Max Range	10-147 ft.-lbs
Operation Mode	Peak hold/Track
Unit Selection	in.-lb, ft.-lb, N-m
Length	20 ⁷ / ₈ "
Square Drive	1/2"
Head Type	Lever type ratchet
Gear Teeth	36
Battery	AA X 2
Battery Life *2	110 hrs. (Continuous operation) 1 year (Standby)
Operating Temperature	14°F ~ 140°F
Storage Temperature	-4°F ~ 158°F
Humidity	≥ 90% non condensing
Drop Test	1 m
Vibration Test *3	10G
Life Time *4	10,000 cycle
Environmental Test *5	Pass
Electromagnetic Compatibility Test *6	Pass

*1: The torque accuracy is a typical value. The calibration point is at the middle line of the five anti-grip lines on the rubber handle. For keeping the accuracy, calibrate the wrench for a constant period time (1 year).

*2: Use two AA battery (Toshiba carbon-zinc R6UG battery)

*3: Horizontal and vertical test

*4: One cycle means swing the torque wrench from 0 N-M to maximum range and back to 0 N-M.

*5: Environmental test:

a. Dry heat

b. Cold

c. Damp heat

d. Change of temperature

e. Impact (shock)

f. Vibration g. Drop

*6: Electromagnetic compatibility test:

a. Electrostatic discharge immunity (ESD)

b. Radiated susceptibility

c. Radiated emission

BATTERIES

Before using the Digital Torque Wrench you must install the batteries. To start remove the battery cover. Insert two AA batteries matching the +/- polarities of the battery to the battery compartment. Install the battery cover and rotate it tightly according to the following figures on the last page.

SETUP

Press Cancel button to turn power on.

To start you need to select one of the three units of measurement; In-Lbs, Ft-Lbs, N-m. Press the Menu button and scroll to the Unit window. Using Up and Down arrows, select your unit preference.

Next, press Menu button again until window shows "nodE" and then select the operating mode.

PEAK HOLD MODE - (MAIN OPERATING MODE)

During this mode of operation the LCD will show the maximum torque value applied to the fastener. Once displayed you must push the Cancel button to clear the reading in preparation for the next fastener.

TRACK MODE

Track mode will display the real time torque as the wrench is in operation. Track mode data will only display on the LCD while in use, and resets to zero when use is discontinued.

The wrench will auto sleep after 2 minutes idle for power saving. Press Cancel button to resume use of the torque wrench.

RESETTING TORQUE WRENCH

Press Cancel and Up Arrow buttons at the same time to reset the torque wrench.

LOW BATTERY

Replace the battery when the low battery indicator is shown in the upper left corner of the LCD window.

CARE AND STORAGE

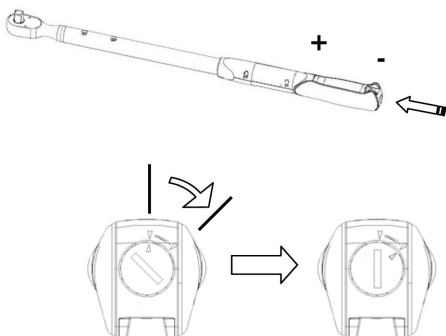
1. Do not store wrench exposed to high heat, humidity, or direct sunlight.
2. Do not use torque wrench under wet weather conditions or near standing water.
3. If the wrench gets wet, wipe it dry as soon as possible.
4. Avoid solvents, such as alcohol or paint thinner to clean the wrench.

5. Keep the wrench away from magnets.
6. Do not expose the wrench to dust or sand as this could cause serious damage.
7. Do not shake or shock the wrench.
8. Over torquing can cause breakage.
9. Do not apply pressure to the LCD panel.

BATTERY HANDLING NOTES

1. Remove the batteries for extended storage.
2. Keep spare batteries on hand when going on a long trip or to a cold area.
3. Do not mix battery types or combine used batteries with new ones.
4. Wipe battery terminals before loading to ensure proper connection.
5. Dispose of batteries in a designated disposal area. Do not throw batteries into a fire.

BATTERY ACCESS DIAGRAM



ANSWERS TO YOUR QUESTIONS

Should you want to order another GRIOT'S GARAGE **DIGITAL TORQUE WRENCH**, or for a complete selection of quality GRIOT'S GARAGE products, please write or call us toll-free at 800-345-5789. You can use the Internet at www.griotsgarage.com.
Reorder item number **11923**.

*Have fun in your garage!**

GRIOT'S GARAGE, INC.
3333 SOUTH 38TH STREET
TACOMA, WA 98409
800-345-5789
www.griotsgarage.com