



OVERHEAD STORAGE CABINET

Thank you for selecting this quality GRIOT's product. The **OVERHEAD STORAGE CABINET** provides convenient storage for tools, equipment or projects. Enjoy the best!

USEFUL INFORMATION

The **OVERHEAD STORAGE CABINET** is easy to install but the installation will require at least two people. The wall mounting brackets must be attached securely to the wall. Check with your local hardware store for the proper mounting fasteners to be used for your application. The mounting bracket must be level and spaced correctly before the cabinet is attached.

TOOLS NEEDED

- Drill
- $\frac{3}{16}$ " Allen Wrench
- Framing Square
- Level
- Ratchet Wrench for mounting hardware

PARTS LIST

1. Overhead Cabinet
2. Wall Mounting Brackets (2)
3. Filler Channels (2)
4. Mounting Blocks (4 per cabinet)
5. $\frac{1}{4}$ "-20 Socket Head Screws (4 per cabinet)
6. Canopy Top & Filler Panel (optional)
7. Adjustable Shelf (for 29" high units only)
8. #10-24 x $\frac{1}{2}$ " Security Screws (2 per cabinet)

NOTE: Hardware to mount brackets to the wall is not provided by Griot's Garage due to the varying wall material.

MOUNTING THE CABINET TO A WALL

1. Determine the vertical position at which the bottom of the Overhead Cabinet is to be located.
2. The Bolts that attach the lower Mounting Bracket to the wall will be placed 50mm [2"] above the height determined in step 1. Scribe a horizontal line at this height.
3. If pilot holes are required, use the Mounting Bracket as a template and mark the locations on the line for the Bolts. Drill the required holes.
4. Level and secure the lower mounting bracket to the wall. **NOTE:** The two brackets provided are the same.
5. Clip the filler channels into the ends of the lower mounting brackets. **(FIGURE 2 & 2A)**
6. Clip the upper mounting bracket to the filler channels, **LEVEL AND SQUARE** the upper mounting bracket. **(FIGURE 3 & 3A)**
7. If pilot holes are required, use the upper mounting bracket as a template. Mark the locations on the wall where the bolts are to be inserted.
8. Drill the required holes
9. Re-Level, re-square and secure the upper mounting bracket to the wall. **(FIGURE 3 & 3A)**
10. Attach the four mounting blocks to the cabinet, using the $\frac{1}{4}$ "-20 socket bolts provided **(FIGURE 4 & 4A)**.
11. Lift the cabinet and clip the mounting blocks onto the mounting brackets. **(FIGURE 5, 5A, 5B)**
12. Verify that the cabinet is clipped onto the brackets.
13. Center the cabinet on the mounting brackets.
14. To prevent the OHC from lifting or sliding off brackets, insert two #10-24 x $\frac{1}{2}$ " screws **(FIGURE 5)**

DISCLAIMER

GRIOT'S GARAGE is not responsible for any misuse of the **OVERHEAD STORAGE CABINET** for any injury or damage incurred to any person or object related to the **OVERHEAD STORAGE CABINET**.

ANSWERS TO YOUR QUESTIONS

Should you have any questions about the **OVERHEAD STORAGE CABINET**, please call our Customer Service Department at 800-345-5789 or email to info@griotsgarage.com. For a complete selection of quality products or to receive a free Griot's Garage handbook, call us or visit online at www.griotsgarage.com. Reorder item number 92600.

Have fun in your garage!®

GRIOT'S GARAGE, INC.
3333 SOUTH 38TH STREET
TACOMA, WA 98409
800-345-5789
www.griotsgarage.com

© GRIOT'S GARAGE, INC.

Figure 1

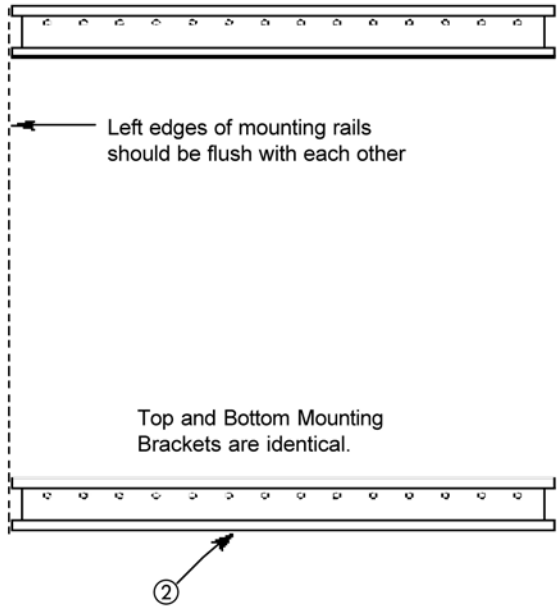


Figure 2

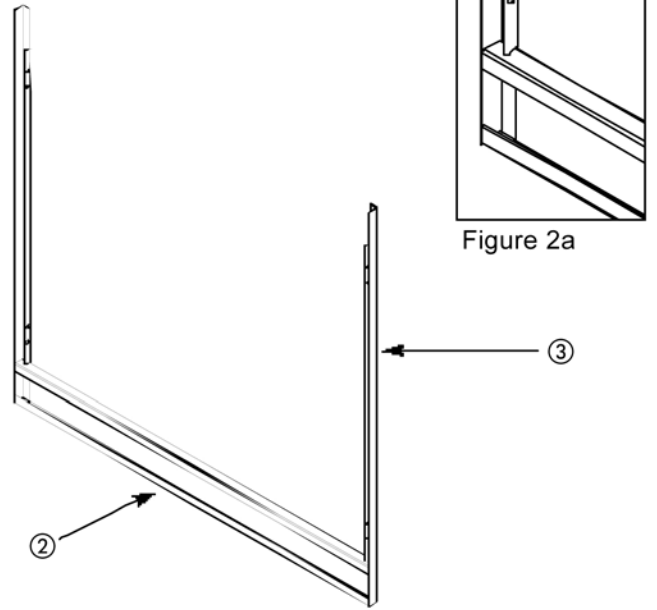


Figure 3

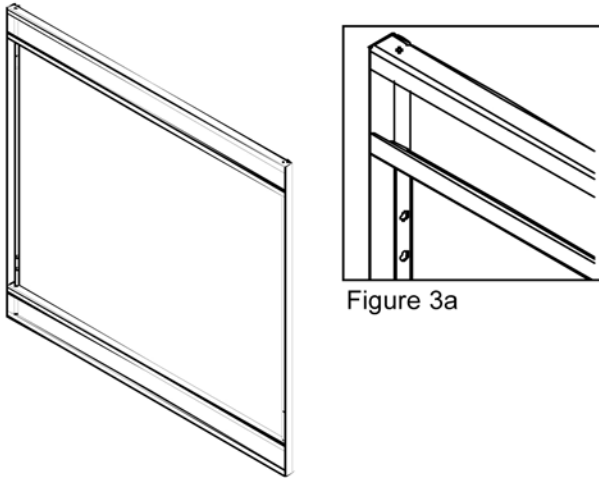


Figure 4

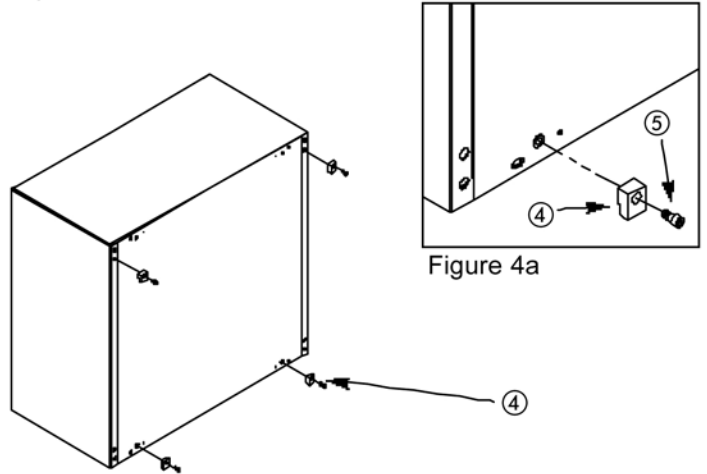


Figure 5

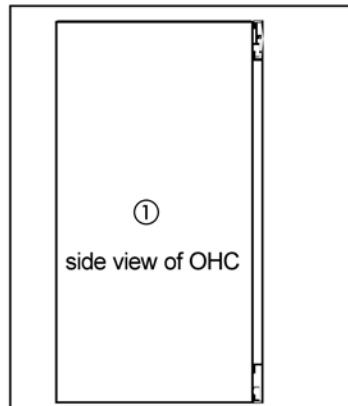
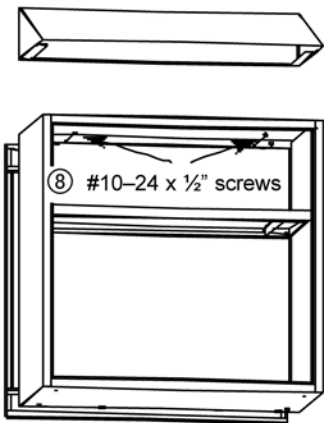


Figure 5a

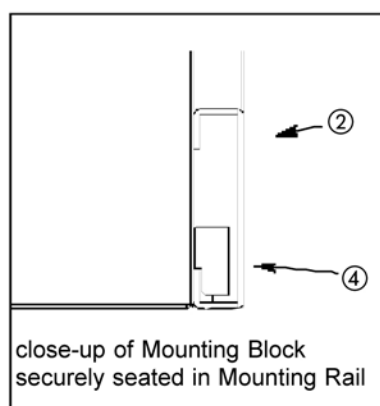


Figure 5b